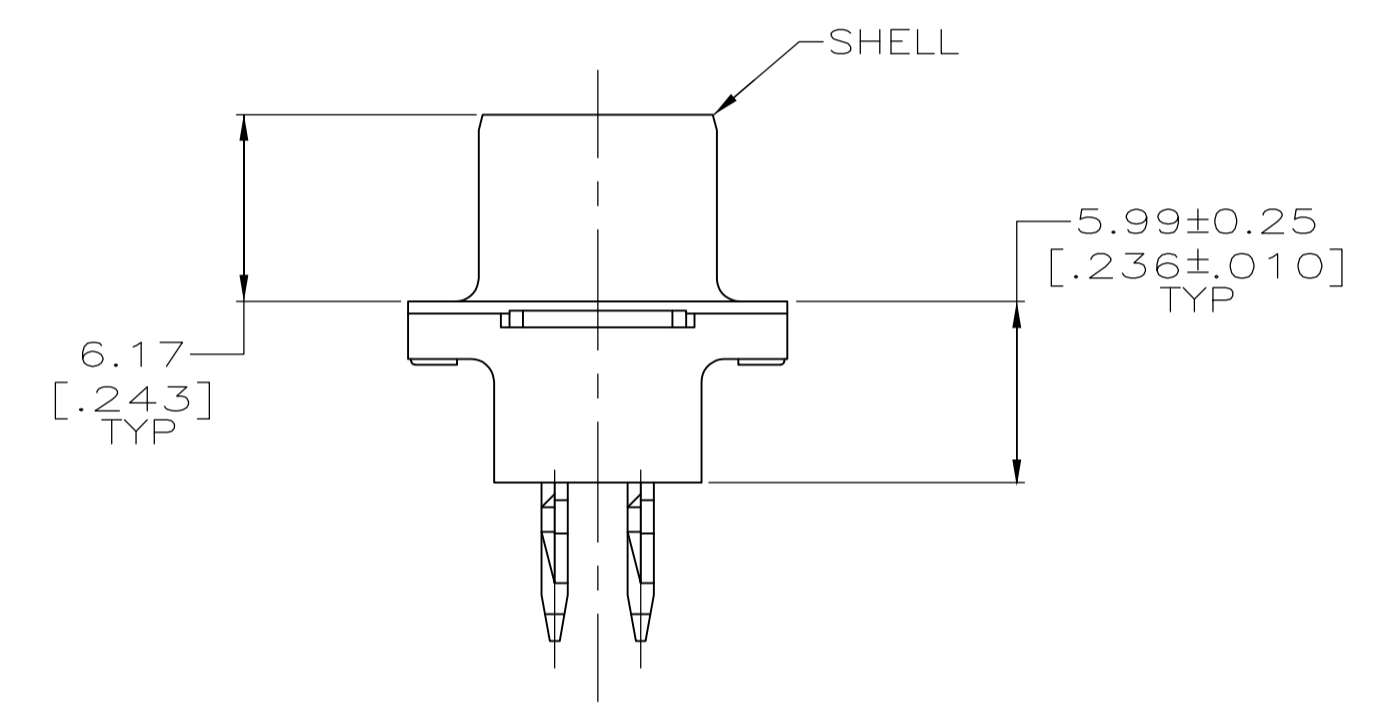
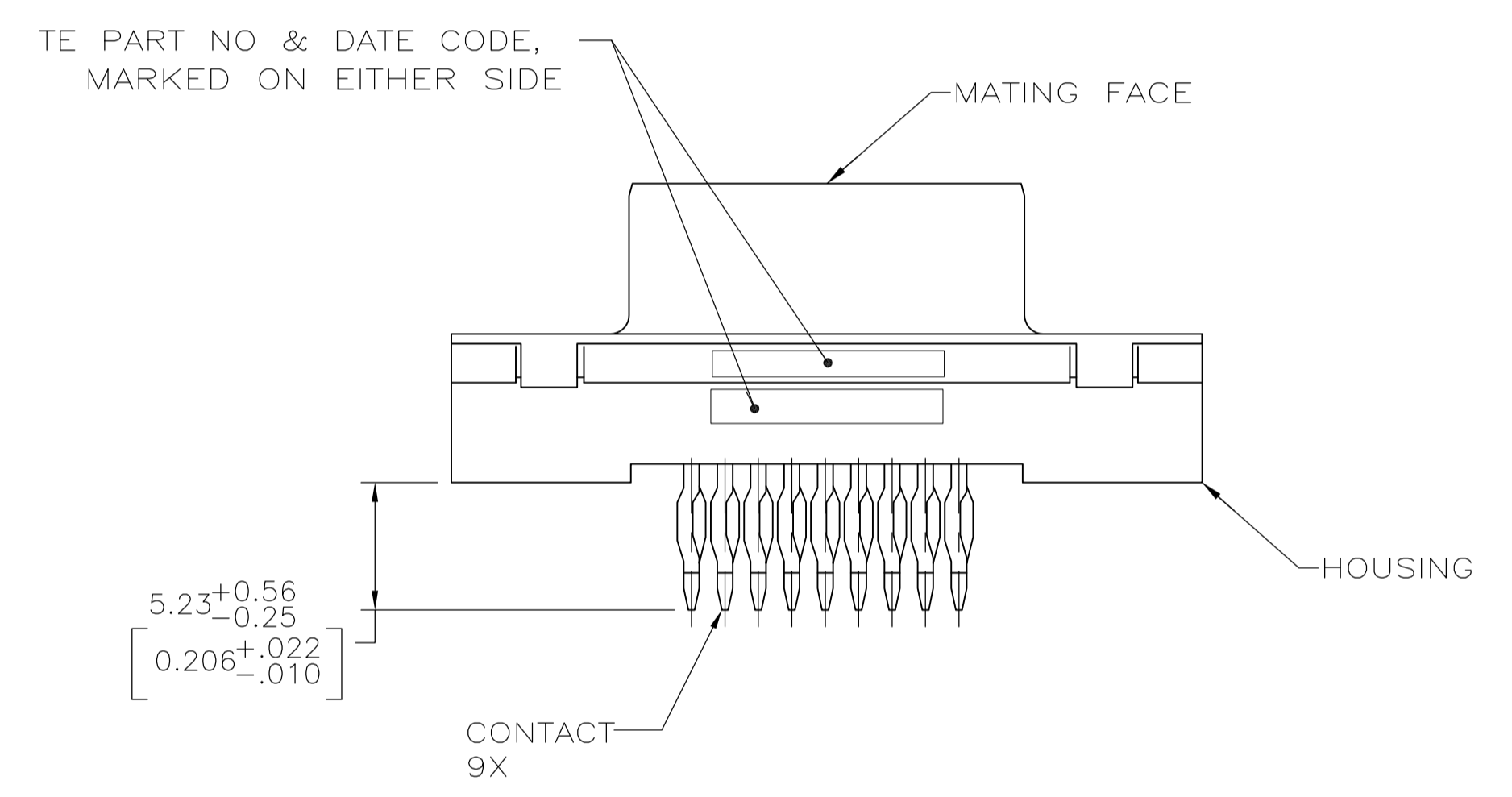
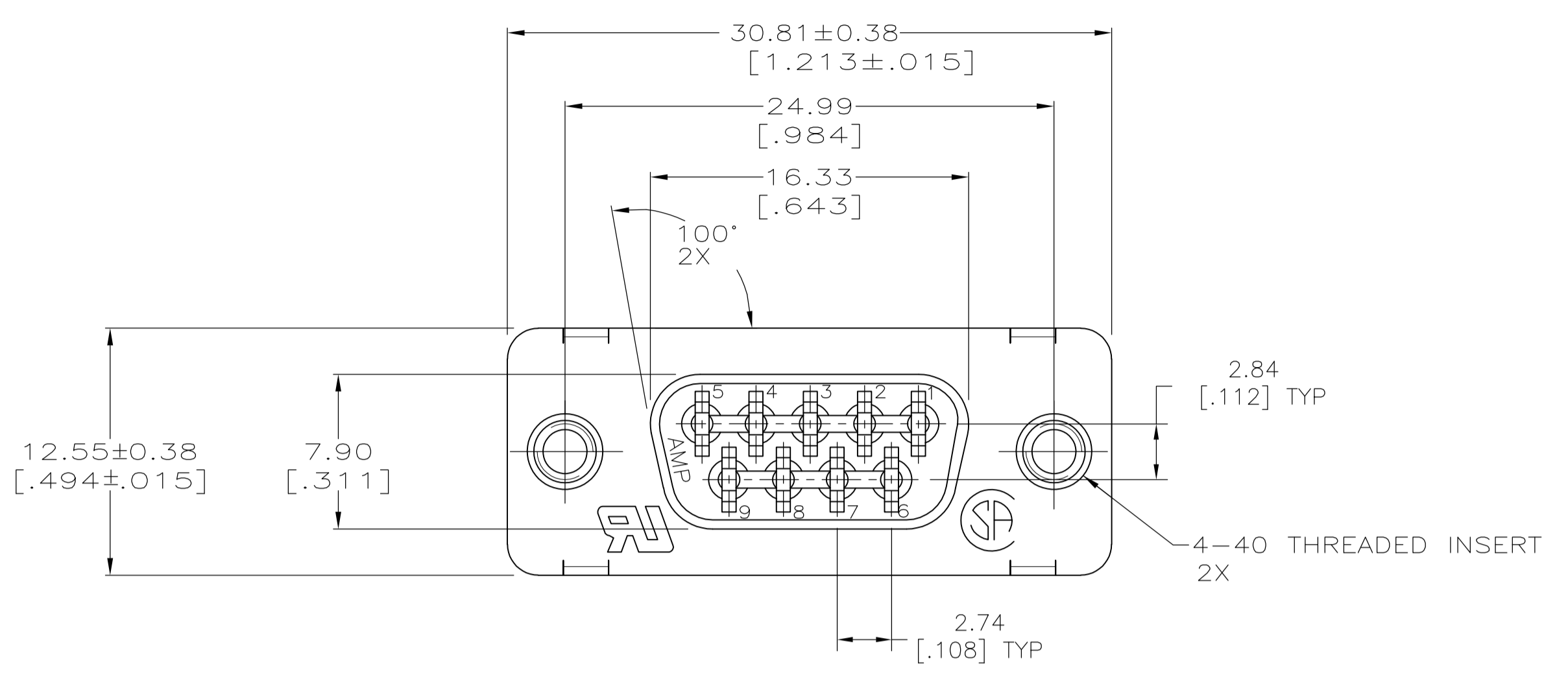


LOC		DIST		REVISIONS			
GP	00	P	LTR	DESCRIPTION	DATE	DMN	APVD
C				REVISED PER ECO-12-000090	26JAN2012	CJV	SLB



- 1 FOR USE WITH 2.36 (.093) MINIMUM THICK PRINTED CIRCUIT BOARD. REFER TO APPLICATION SPECIFICATION FOR PRINTED CIRCUIT BOARD LAYOUT DIMENSIONS AND FINISH RECOMMENDATIONS.
- 2 MATERIAL:
 HOUSING: GLASS-FILLED NYLON OR POLYESTER, UL94V-0 RATED. COLOR: BLACK.
 CONTACTS: COPPER ALLOY.
 SHELL: CARBON STEEL.
 INSERTS: BRASS.
- 3 SHELLS: $5.08 \mu\text{m}$ [$.000200$] MIN TIN OVER $2.54 \mu\text{m}$ [$.000100$] MIN COPPER.
- 4 DATUMS AND BASIC DIMENSIONS ESTABLISHED BY CUSTOMER.
- 5 CONTACTS:
 0.76 MICRO METERS [$.000030$] MINIMUM GOLD IN MATING AREA.
 2.54 MICRO METERS [$.000100$] MINIMUM TIN ON COMPLIANT PIN.
 ALL OVER 1.27 MICRO METERS [$.000050$] MINIMUM NICKEL
 OR
 GOLD FLASH OVER PALLADIUM NICKEL,
 0.76 MICRO METERS [$.000030$] MINIMUM TOTAL IN MATING AREA.
 2.54 MICRO METERS [$.000100$] MINIMUM TIN ON COMPLIANT PIN.
 ALL OVER 1.27 MICRO METERS [$.000050$] MINIMUM NICKEL.

5747090-2
 PART NUMBER

THIS DRAWING IS A CONTROLLED DOCUMENT. DIMENSIONING AND TOLERANCING PER ASME Y14.5M-2009		DWG: G. PETERS/DTI CHK: S. BOLASH	DATE: 26JAN2012	REV: C
DIMENSIONS: INCHES		TOLERANCES UNLESS OTHERWISE SPECIFIED:	APPROVED: M. WALMSLEY	
0 PLC ± -		1 PLC ± -	NAME: RECEPTACLE ASSEMBLY, ACTION-PIN, 9 POSITION, HD-20, AMPLIMITE	
2 PLC ± 0.13 [.005]		3 PLC ± -	PRODUCT SPEC: 108-40014	
4 PLC ± -		ANGLES ± -	APPLICATION SPEC: 114-40026	
MATERIAL: 2	FINISH: 3, 5	WEIGHT: -	SIZE: A1	CAGE CODE: 00779
CUSTOMER DRAWING		SCALE: 4:1	SHEET: 1 OF 1	REV: C